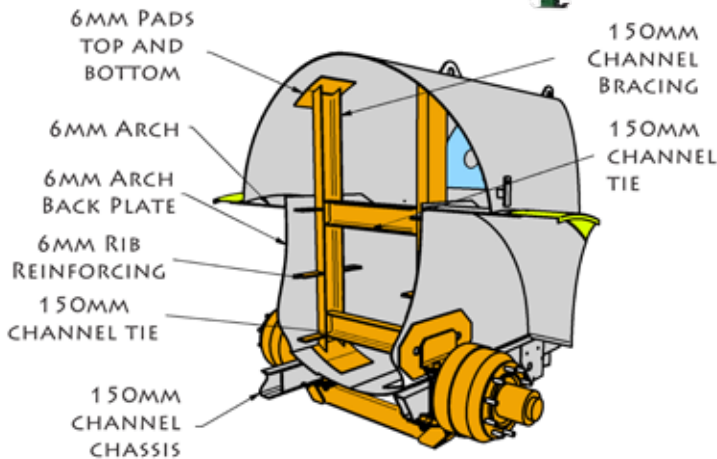


MAJOR TANKERS

Introducing the new *Alpine Range of Tankers* from MAJOR. The Major ALPINE Tankers are engineered like no other tanker!

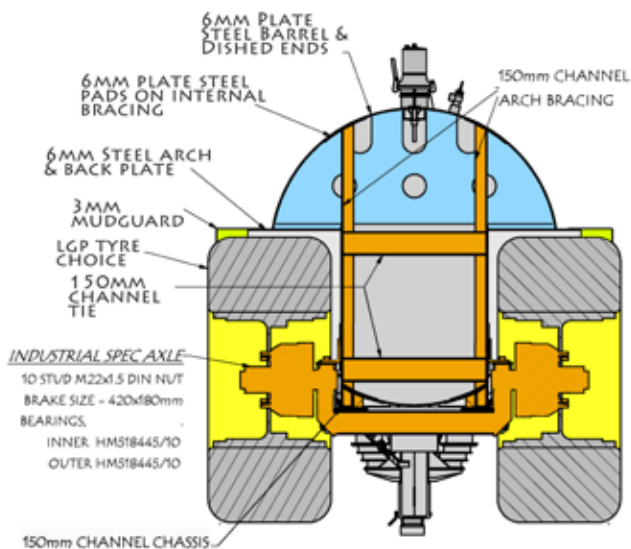
This new tanker is designed to have less ground pressure than tandem axle tankers. This means minimal ground damage even in wet conditions.

There are three sizes available: 2150, 2300 and 2670 Gallons.



2150 Alpine tank compared to a standard 2400LGP
14" drop at the rear and 6" drop at the front

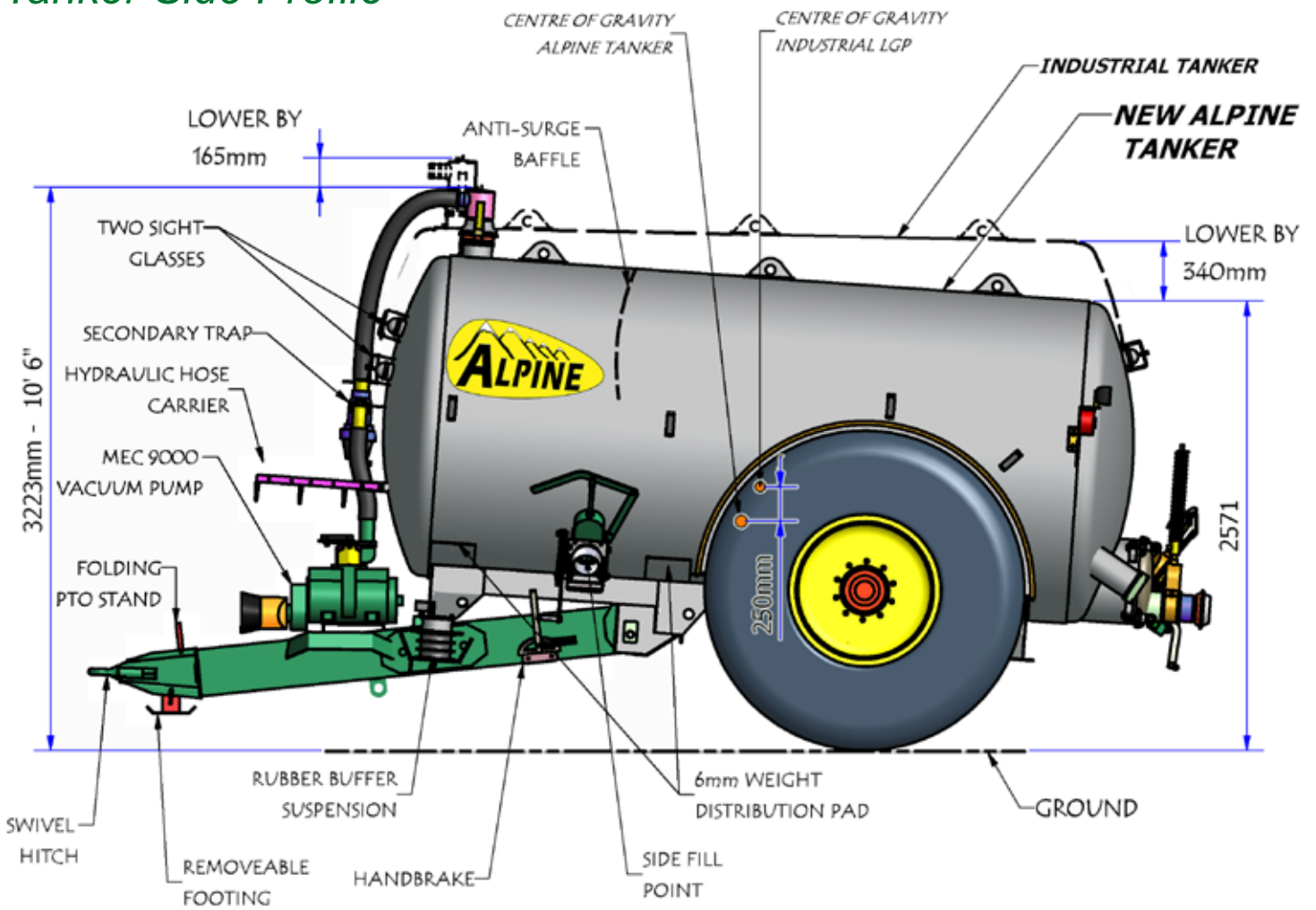
As with all MAJOR tankers, the inside is baffled to prevent wave motions and improve operator safety.



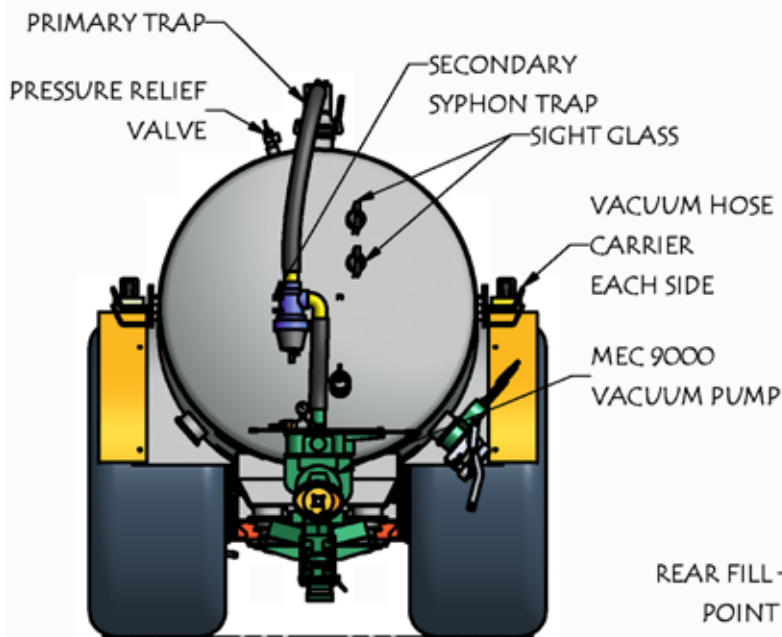
Product Specifications:

- Low Centre of Gravity (Axle lowered by 250mm).
- Industrial spec axle:
10 Stud M22X1.5 Din Nut
Brake Size 420X180mm
Bearings: Inner HM518445/10
Outer HM518445/10
- Hydraulic braking system.
- Tanker located on a chassis with weight distribution pads.
- Vessel fully reinforced inside to compensate for wheel arches.
- Anti surge baffle
- Removeable footing
- Primary and secondary traps to protect pump.
- Rubber buffer suspension drawbar
- Swivel hitch and foldable PTO stand
- Choice of pumps; 9000L, 11000L and 13500 L
- Full road lighting kit.
- Comprehensive 12 month warranty with full parts back-up service

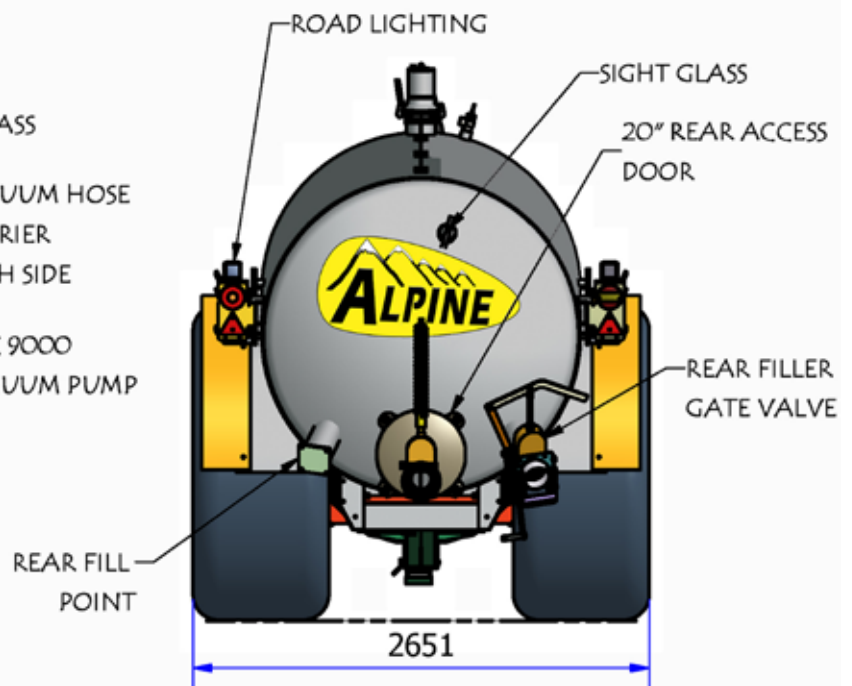
Tanker Side Profile



Tanker Front Profile



Tanker Rear Profile



IRISH OFFICE

Major Equipment Intl Ltd
 Ballyhaunis, Co. Mayo
 Ireland
 Tel: + 353 (0)94 9630572

UK OFFICE

Major Equipment Ltd
 Middleton Rd, Heysham,
 Lancs, LA3 3JJ, UK
 Tel: + 44 (0)1524 850501

EUROPE OFFICE

Major Equipment (NL & D)
 Postbus 29, NL-7700 AA,
 Dedemsvaart, Nederland
 Tel: + 31 (0) 638919585

